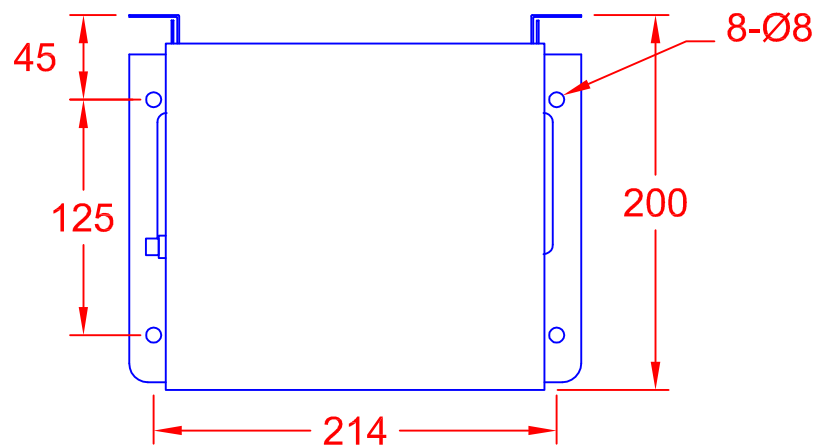
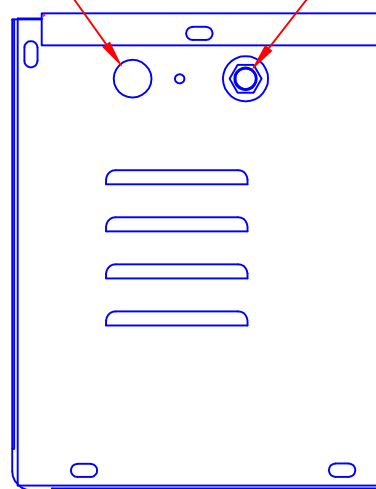
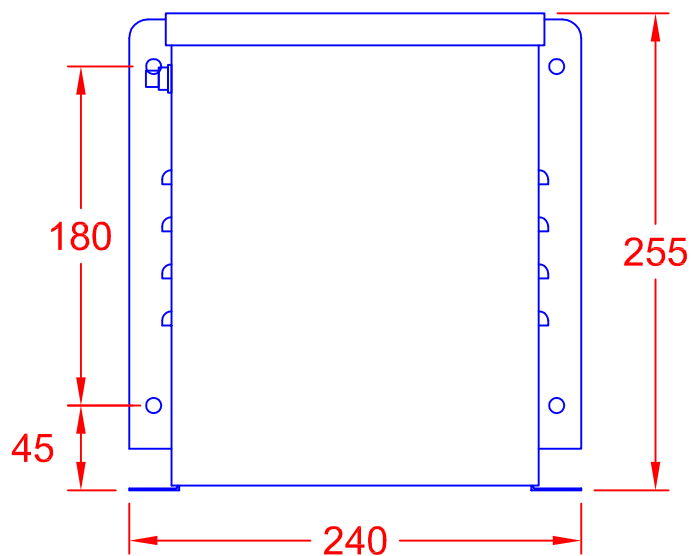


TOLERANCES (UNLESS SPECIFIED)	
0-10mm	±0.2mm
10.1-50mm	±0.5mm
50.1-250mm	±1.0mm
>250mm	±2.0mm

Ø20 LEAD ACCESS
EACH SIDE

THERMAL
CUT-OUT



WALL MOUNTING ISOLATION TRANSFORMER
 MODEL: CM3300/WM0
 INPUT: 230V, 50Hz
 OUTPUT: 55V-0-55V
 RATING: CENTRE TAP EARTHED
 3.3kVA INTERMITTENT
 (5 MINS ON, 15 MINS OFF)
 THERMAL CUTOUT: 10A THERMAL CUTOUT
 ENCLOSURE: PAINTED STEEL
 RATED IP22
 COLOUR: RAL 7032

REV	
4	
3	
2	
1	

CARROLL & MEYNELL
 TRANSFORMERS LIMITED
 TEL: 01642 617406 FAX: 01642 614178
 enquiries@carroll-meynell.com

TITLE
 CM3300/WM0
 WALL MOUNTING
 TRANSFORMER
 ALL DIMENSIONS IN mm

DRAWN	PROJECTION	DATE	SCALE
SH		12/5/8	NTS
DRAW No	REV	PAGE	
3277	0	1/1	